

► **Range of Application**

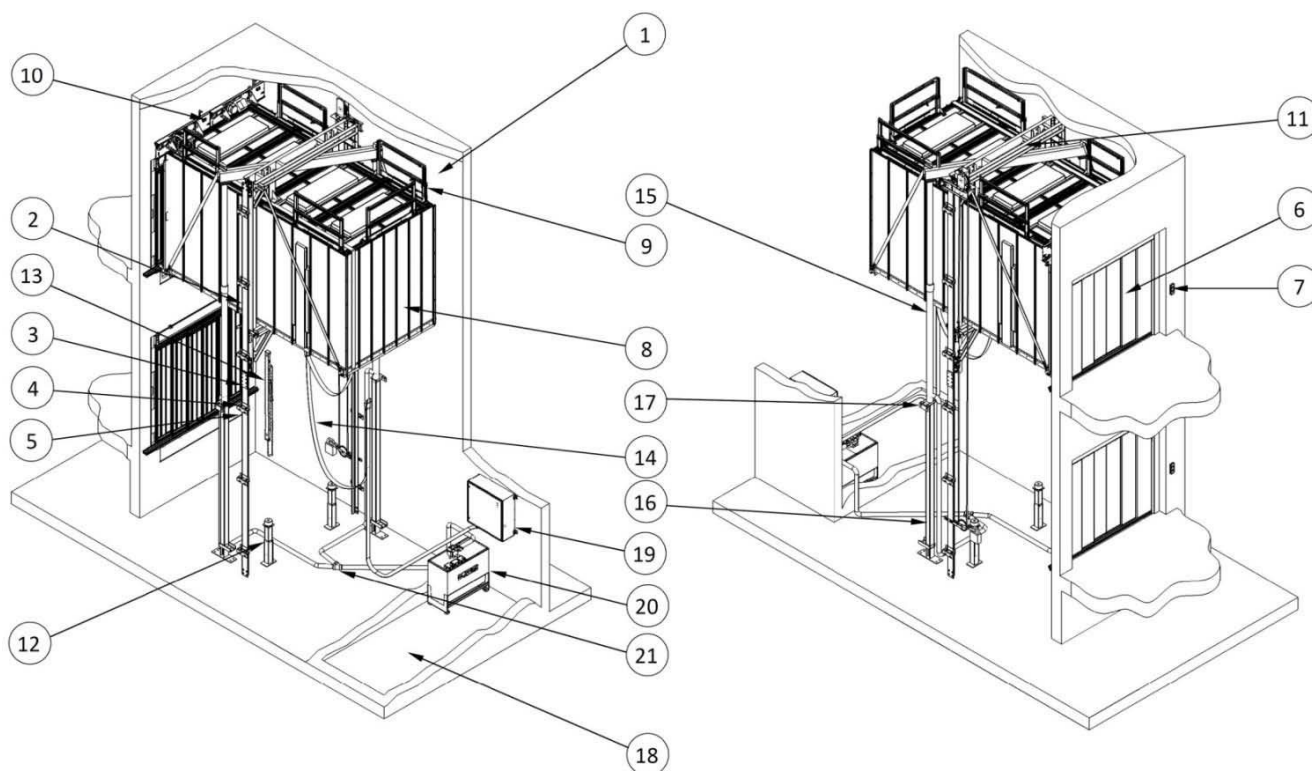
Twin Jack direct [1:1] acting
Hydraulic Lift MR

Contents



| | |
|---------------------------------|---|
| 3D Layout | 3 |
| Technical Specification | 4 |
| Layout Arrangement..... | 5 |
| Single Entrance..... | 5 |
| Plan View | 5 |
| Layout Arrangement..... | 6 |
| General Section View | 6 |
| Πιστοποίηση/ Certification..... | 7 |

3D Layout



| | | | |
|----|---------------------------------|----|---------------------|
| 1 | Shaft Wall | 12 | Buffer With Support |
| 2 | Car Sling Guide Rails | 13 | Pit Ladder |
| 3 | Car Sling Guide Rail Fishplates | 14 | Traveling Cable |
| 4 | Car Sling Guide Rail Brackets | 15 | Jack |
| 5 | Wall Brackets | 16 | Jack Tube |
| 6 | Landing Doors | 17 | Jack Tube Support |
| 7 | Landing Operating Panel | 18 | Machine Room |
| 8 | Car | 19 | Controller |
| 9 | Car Roof Top Ballustrade | 20 | Oil Tank |
| 10 | Car Door | 21 | Rubber Hose |
| 11 | Car Sling | | |

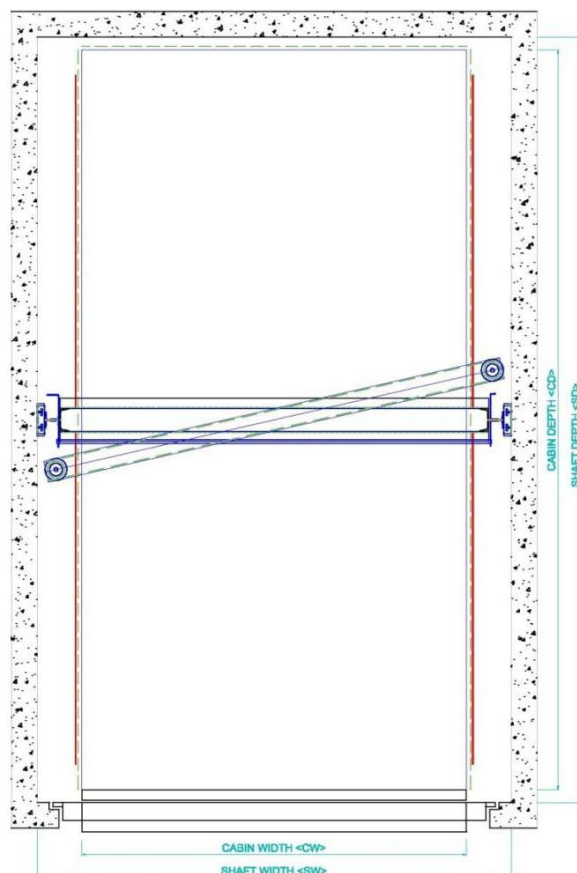
Technical Specification

| Type: | HYDRAULIC CAR LIFT | | | |
|---------------------------------|--------------------|-------------------|-------------------|--------------------|
| Rated Load: | 1500 Kg | 2000 Kg | 2500 Kg | 3000 Kg |
| Acting: | 1:1 | 1:1 | 1:1 | 1:1 |
| Load on one piston (max) | 1700 Kg | 2000 Kg | 2300 Kg | 2700 Kg |
| Min Headroom: | 3200 mm | 3200 mm | 3200 mm | 3200 mm |
| Min Pit Depth: | 1200 mm | 1200 mm | 1200 mm | 1200 mm |
| Car guide Rails: | T114x89x16 | T114x89x16 | T127x89x16-3 | T127x89x16-3 |
| Car sling type: | HFU 160 | HFU 180 | HFU 200 | HFU 220 |
| Max travel: | 3000 mm | 3000 mm | 3000 mm | 3000 mm |
| Power unit type (max): | D144 | D144 | D144 | D262 |
| Piston (max): | HYDRONIC Ø70x5 | HYDRONIC Ø80x5 | HYDRONIC Ø90x5 | HYDRONIC Ø100x5 |
| Max speed: | 0.15 m/s | 0.15 m/s | 0.15 m/s | 0.15 m/s |
| Maximum motor power: | 5.9 Kw | 7.7 Kw | 9.6 Kw | 9.6 Kw |
| Maximum pump capacity: | 70 l/min | 96 l/min | 115 l/min | 145 l/min |

Layout Arrangement

Single Entrance

Plan View

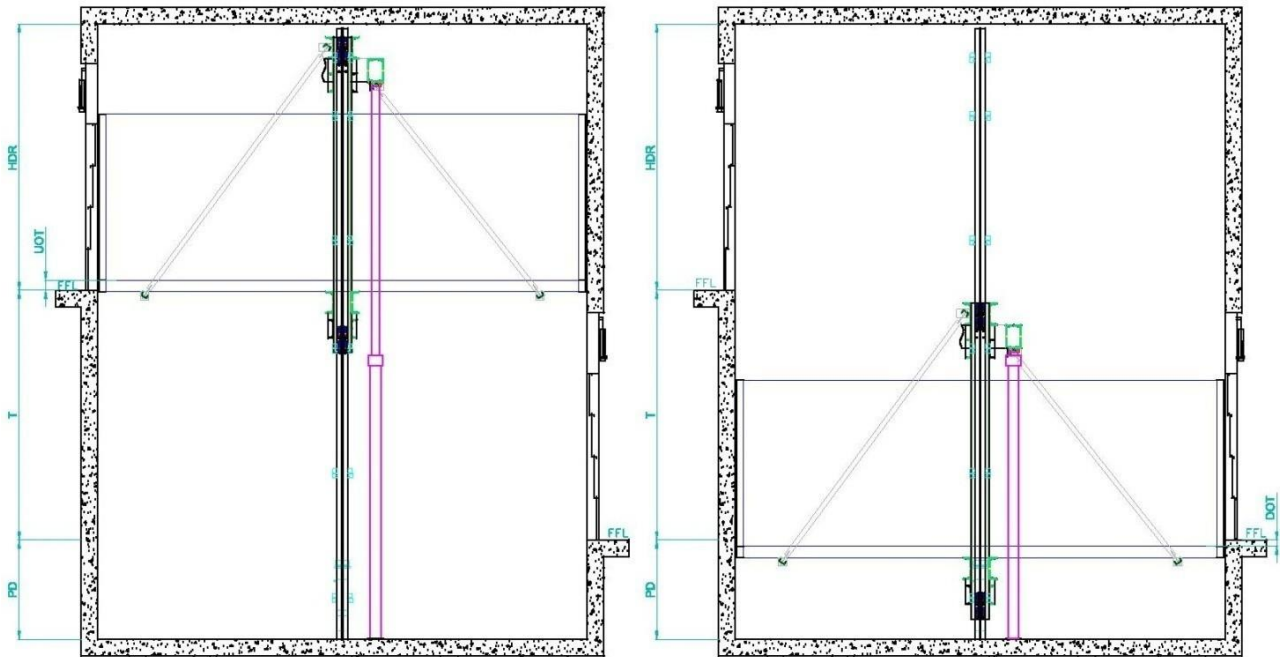


| Rated Load (kg) | Headroom (mm) | Car Width CW (mm) | Car Depth (mm) | Shaft Width SW (mm) | Shaft Depth SD (mm) | Door Type |
|-----------------|---------------|-------------------|----------------|---------------------|---------------------|----------------|
| 1500 | 3200 | 2000 | 4500 | 2700 | 4700 | 4PTV 2000x2000 |
| 2000 | 3200 | 2000 | 4800 | 2700 | 5000 | 4PTV 2000x2000 |
| 2500 | 3200 | 2500 | 5300 | 3200 | 5500 | 4PTV 2500x2000 |
| 3000 | 3200 | 3000 | 5800 | 3700 | 6000 | 4PTV 3000x2000 |

4PTV: 4 panel telescopic vertical

Layout Arrangement

General Section View



| | | |
|------------|-----------------|--------------|
| HDR | Headroom | 3200 mm(min) |
| UOT | UP Overtravel | 120 mm(min) |
| T | Travel | 3000 mm(max) |
| PD | Pit Depth | 1200 mm(min) |
| DOT | Down Overtravel | 80 mm(min) |

Πιστοποίηση/ Certification

Q-CERT
ΠΙΣΤΟΠΟΙΗΤΙΚΟ/CERTIFICATE

QMSCERT, a notified body (notification No 1617) and a provider of third-party system certification organization acting in accordance with the requirements of ISO 17021 for registrars, attests that:

DOPPLER S.A.
POLYKASTRO INDUSTRIAL PARK, GR-61200,
POLYKASTRO, GREECE

With a scope of:

*Design, Production & Assembly for lift type:
Hydraulic & Traction Lifts for Passengers & Goods*


| | |
|---|---|
| Date of Application: | 28.07.2017 |
| Evaluation Period: | September 2017 - October 2017 |
| Type of Installed Lift: | Hydraulic and Traction Lifts for Passengers and Goods |
| Standard (s) against which the evaluation was conducted: | EN81-20:2014 EN 81-50:2014 EN 81-1:1998+A3:2009 EN 81-2:1998+A3:2009 |
| Report No. / Date: | 12.360.0 / 05.10.2017 |


has established and implements a certified quality assurance management system according to:

Directive 2014/33/EU Annex XI, Module H1


September 23rd, 2019
Certification Period Ending

September 24th, 2016
Certification Date


For the QMSCERT Board


Inspection - Certification

QMSCERT® No. 230513/4136


MS Certification
Cert. No. 110-6

QMSCERT 26th OCTOBER Str. 90 - GR 546 27 - THESSALONIKI - HELLAS